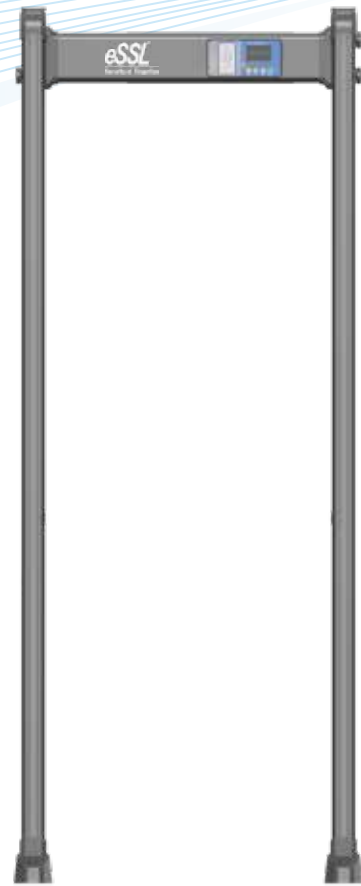


Walk through Metal Detector -33 zone

D330-33-IP65



Specification

Working principle : Electromagnetic
Materials : ABS (Acrylonitrile Butadiene styrene) raw materials
Frequencies : 0-99.
Net weight : 35 KG
Gross weight : 42KG
External size : 2191x875x446mm
Passage size : 2007x720x446mm
Detection : Ferrous metals <75gm
Distance between 2 DFMD : 850mm

Working humidity : 99%, non-condensing
Working temperature : -20°C-65°C
Input : AC 100 V-240 V/ Frequency 50HZ-60HZ
Product colour : Matte Black
IP rating : IP65
Sensitivity adjustable : 0 - 400
Volume adjustable : 0 - 50
Alarm volume : 0 - 3 sec
Alarm tones : 15 different tone
Detection of metal : Thickness 2mm, length 50mm, Width 20mm

Product Preview



Features

- Support Multi Zones by selecting 11/22/33 Zones
- The sensitivity of the Door can be adjusted between specific doors Right/Left, Reset of pass Alarm Counts, Manual Calibration
- 5 Digit 7 Segment Bright Digital LED display* Integration of Entrance Automation Devices (Turnstile, Flap /Swing Barrier) through Access Controller of IOT board that blocks person with any Prohibited Items (Optional)
- Has a low Magnetic Field Technology
- Ergonomic structure new design.
- High bright new LED digital with zones display.
- Easy fixing of cross beams with side door DFMD controller.
- Helps in detection of prohibited items.
- Infrared sensor for pass count & alarm count.
- Simple installation 2 doors (R & L), cross beam with wire probe.



Bank



Factory



Hotel



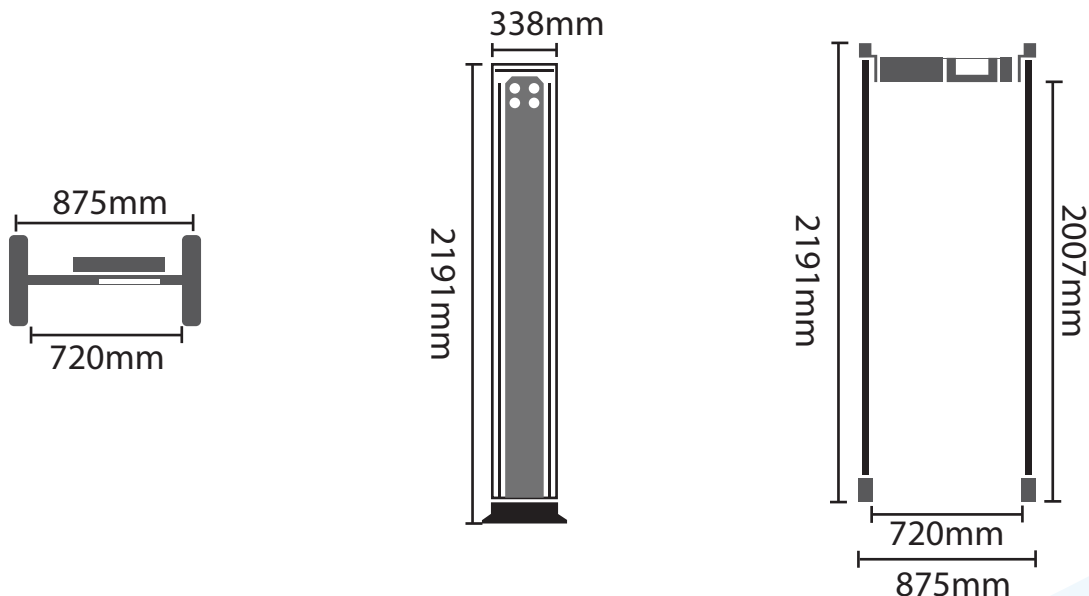
Offices



Theater

Lorem ipsum

Dimension



Disclaimer : Brief specifications are mentioned here. Specifications may change without prior notice. Customers are advised to check with us before purchase. Actual product may differ slightly to that depicted for ongoing product development.