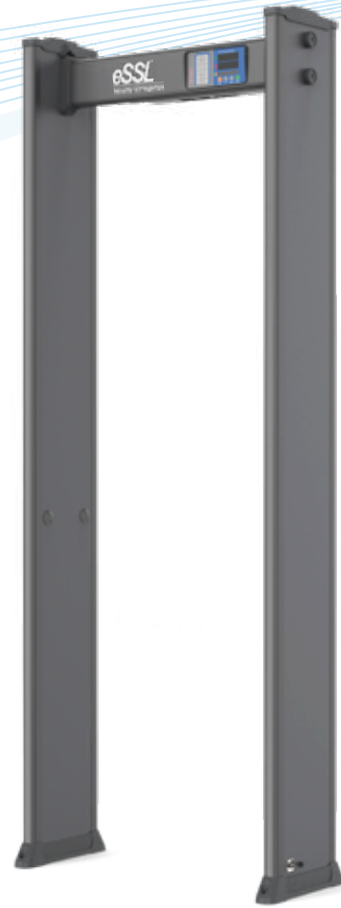


# Walk through Metal Detector - 18 zone DFMD

## D270-18-IP65

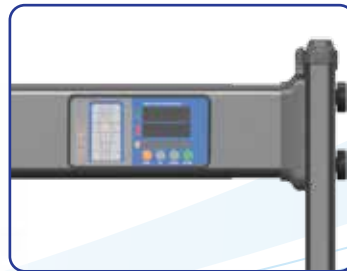


### Specification

Working principle : Electromagnetic  
Materials : ABS (Acrylonitrile Butadiene  
styrene) raw materials  
Frequencies : 0-100.  
Net weight : 21 KG  
Gross weight : 27 KG  
External size : 2165x828x349mm  
Passage size : 2017x720x349mm  
Detection : Ferrous metals <75gm

Working humidity : 99%, non-condensing  
Working temperature : -20°C-65°C  
Input : AC 100 V-240 V/ Frequency 50HZ-60HZ  
Product colour : Matte Black  
IP rating : IP65  
Sensitivity adjustable : 0 - 400  
Volume adjustable : 0 - 50  
Alarm volume : 0 - 3 sec  
Alarm tones : 15 different tone

### Product Preview



## Features

- Support Multi Zones by selecting 6/12/18 Zones
- The sensitivity of the Door can be adjusted between specific doors Right/Left\* Reset of Counts \* Manual Calibration
- 5 Digit 7 Segment Bright Digital LED display\* Integration of Entrance Automation Devices (Turnstile, Flap /Swing Barrier) through Access Controller of IOT board that blocks person with any Prohibited Items (Optional)
- Has a low Magnetic Field Technology
- Ergonomic structure new design.
- High bright new LED digital with zones display.
- Easy fixing of cross beams with side door DFMD controller.
- Helps in detection of prohibited items.
- Infrared sensor for pass count & alarm count.
- Simple installation 2 doors (R & L), cross beam with wire probe.



Bank



Factory



Hotel

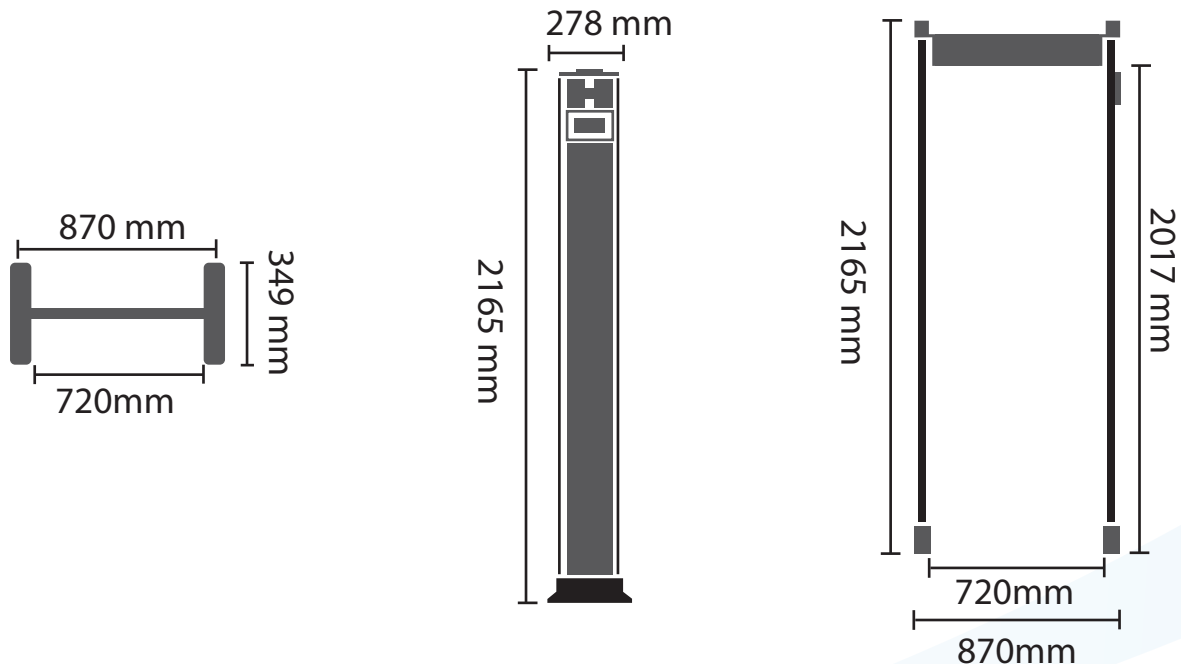


Offices



Theater

## Dimension



Disclaimer : Brief specifications are mentioned here. Specifications may change without prior notice. Customers are advised to check with us before purchase. Actual product may differ slightly to that depicted for ongoing product development.  
[www.esslsecurity.com](http://www.esslsecurity.com)