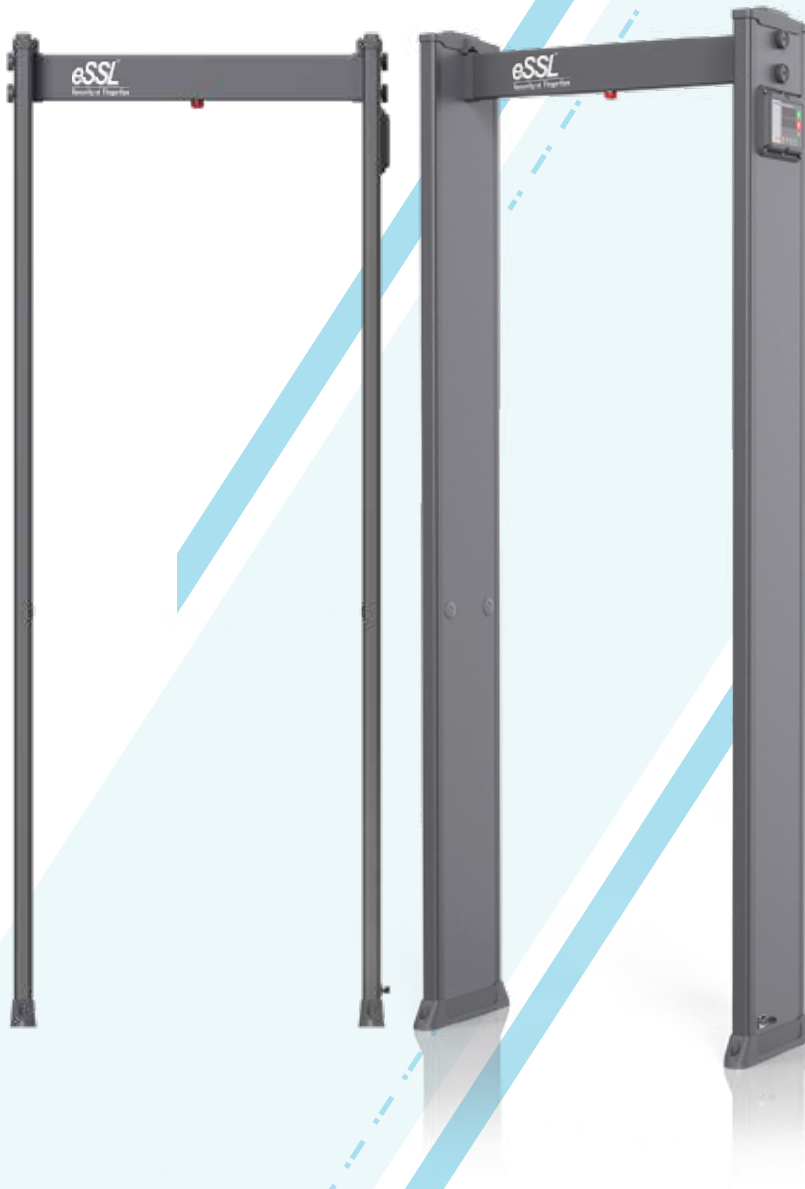




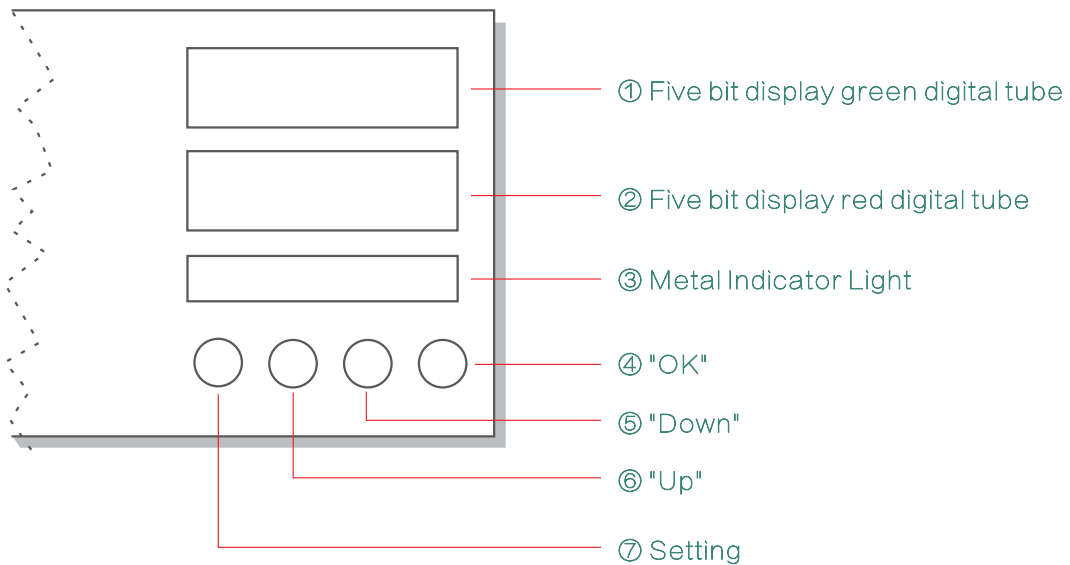
D270-09-IP54

Walk Through Metal Detector
-9 Zones Door Side Controller



“User and installation manual”

Control Panel Settings



Input password

Boot and press key to change the program bottom , display P 00000, enter the password, the initial password is P 0000, press 6 corresponding selection number (from 0 to 9 cycle), press 5 key to change selection (can cyclic shift, choose corresponding bit twinkle), if password fault (CERR), can't enter the system, press 6 key to re-enter the password ,until the correct password, then press 7 key(setting botton) access the interface of setting specification.

Revising password

To change the password, press the 7 key (setting key) to switch to the screen display P 00000, press the 7 key (setting key) for 5s, and then the corresponding selection position will start flashing. Press the 6 key to change the value of the corresponding selection bit (0~9 cycles), and press the 5 key to change the selection bit (cyclic shift, and the corresponding selection bit will flash). At this time, you can enter a new password, and press the 7 key to save and enter.



Please read the manual carefully and thoroughly before operating the equipment.
Users keep this manual for reference at any time

Function Setting



① Pass counter



② Alarm counter



Before revising device specification, please read this section carefully.



Note: when enter into next interface, spec value of last interface equal to the last operation value

Functional selection

Spec setting

Press ⑦ keyboard
Can select circularly at following functions

Under corresponding functional interface, pressing ⑥ keyboard and corresponding no "+"
Pressing ⑥ keyboard and corresponding no "-"

Function	Code	Spec	Description
Working frequency setting	F	1~100	100 levels can be adjusted
Security level setting	H	0~99	100 levels can be adjusted
Partition setting	FL	N1/N2/N3	Three kinds detection zones conversion
Left each zone sensitivity setting	1L	0~400	1 detector sensitivity 400 level
	2L	0~400	2 detector sensitivity 400 level
	3L	0~400	3 detector sensitivity 400 level
	4L	0~400	4 detector sensitivity 400 level
	5L	0~400	5 detector sensitivity 400 level
Right each zone sensitivity setting	1R	0~400	1 detector sensitivity 400 level
	2R	0~400	2 detector sensitivity 400 level
	3R	0~400	3 detector sensitivity 400 level
	4R	0~400	4 detector sensitivity 400 level
	5R	0~400	5 detector sensitivity 400 level
Alarm volume setting	yL	0~99	Volume 100 levels
Alarm tone setting	yd	0~99	100 levels
Alarm time length setting	yc	0~99	Alarm time length 100 levels
Scene setting	CJ	1~72	72 scenes option(changing security level, each zone sensitivity mode)
LED lights display setting	Ld	LD 0	When left and right panel are installed wrong (when detecting metal object , left and right panel alarm lights will display in the opposite side) changing the value into 1
automatic frequency adjustment	CF	0/1	Choose suitable working frequency automaticly
Infrared setting	LR		4 kids nfrared mode (infrared mode:0/1/2/3) 0: double infrared both close; 1: only front infrared open; 2: only back infrared open; 3: double infrared both open
Revise password	C0	* * *	Revise password(refer to first page of manual)

Product Introduction

Product description

Muti-zone intelligent walkthrough metal detector with high performance, in the meantime, it has higher sensitivity, light weight, best resistance of interference and perfect stability. This model adopts high strength material, more lighter and convenient transportation and installation. With Fully modular product, assembly on flow line production, so can keep the stability of production. It is easy to operate with intuitive interface. So can operate without any training.

Muti-zone intelligent walkthrough metal detector is widely used in athletic meeting, conference, school etc. This item is gotten shape patent, and achieve right of software registration. Its detection theory is to use electromagnetic field to detect metal object, and even detect Metal quantity by acousto-optic alarm mode. It consists of the main unit, HF signal generator, infrared sensor. It is most advanced metal detector gate with elegant shape, superior detection ability, muti-zone detection, unique operation network system, portable features.

Technology advantages

- Adaptive system: when system enters into adaptive mode, it can adapt the testing standard
- Start-stop technology: The infrared device is equipped with automatic start-stop technology, which prolongs the service life by 100 times
- The sensitivity of Each detection zone can be adjusted randomly (with adaptive technology)
- Can Change the detection zones (customer oneself can convert detection zones easily)
- For Sound, Light alarm, alarm tone, alarm time length, can be change randomly.
- Query function: the system with real-time information query function.
- Detection ability: at least detect 100 persons within one minute.

Specification

- Detect object : contraband including mobile phone and metal
- Working humidity: 99%, non-condensing
- Working temperature: -40°C-60°C
- Power supply: can equip with backup battery. Can choose different supply time from 8/16/24/48 hours (optional)
- Input: AC 110 V-240 V/50HZ-60HZ
- Output: DC 12 V/4.2A 12W

Application occasions

Walkthrough metal detector is used to detect metal object in the body.
Typical application occasions as following:

- Airport, port: travelling check point
- Court, prison: visiting check point
- Conference, public building, stadium: entering control
- Power plant: staff, visiting check point
- Factory: anti-theft
- Hotel, restaurant, entertainment, KTV: visiting check point

By research and practice of long terms, we published this style device. And it also is use advanced technology and 100% security. According to the manual operating, will not exist any damage for the person passing through device.

Common Fault Handling

FAQ deal



When Pop error code and cant work normally, please read this section carefully

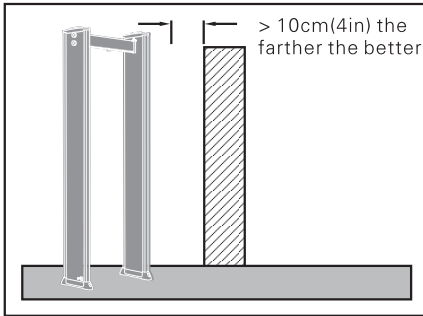
NO.	Fault name	Fault description	Check failure	Fault judgment	Maintenance Tools
1	Cannot-boot	Can't benormally used after installation and connect the power.	<ol style="list-style-type: none"> 1.Check whether the power line between main chassis and the door panels has been plugged in with AC220V power cord. 2.Check whether the power cord is damaged, broken, poor contact, and the main chassis power supply is normal. 	<ol style="list-style-type: none"> 1.Motherboard fault 2.Circuit fault 	Visual, Manual operation
2	Boot does not show	The LCD screen does not light Digital board is not bright	Check whether the motherboard connector panel is inserted properly.	Replace connecting line or display and digital board.	Visual, Manual operation
3	No count	The through number shows 0001 or 0000 or even not counting.	We picked up a phone, turn on the camera, the lens on the dot at the door will emit aglowing red dot, which means the infrared emission is normal, if not, the infrared is broken.	Replace the infrared component.	Visual, Manual operation
4	Disorderly alarm	It may appear automatic alarm when there is not staff through the detector.	<ol style="list-style-type: none"> 1. Check the surroun ding environ ment, ortry to change the frequencies. 2. When the sunlight direct to the infrared component, it may also appear automatic alarm. 	<ol style="list-style-type: none"> 1. Replace the infrared component. 2.Change the installation location to avoid the sun. 	Visual, Manual operation
5	Omission	There is no alarm when walking through the detector with metal.	Normally it is because the sensitivity is too low, try to increase the sensitivity of eachzone.	Debugging capturecard.	Visual, Manual operation

Kind Attention

Installation environment

Shaking Ground

Ground should be flat, with a solid support, to prevent vibration. Especially when there is presence of vibration of the metal structure under the surface, people walk through the detector may cause unnecessary alarms.

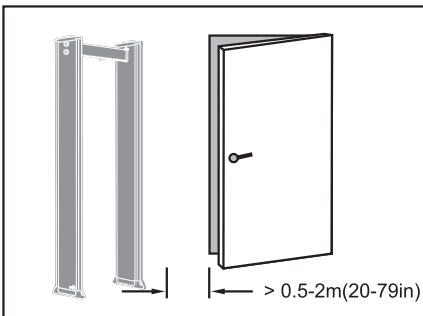


Fixed the metal objects

The distance between fixed or a large metal object should be at least 10cm (4in) away from the WTMD to detect large metals. It has little effect on the sensitivity, but it may make WTMD more susceptible to vibration.

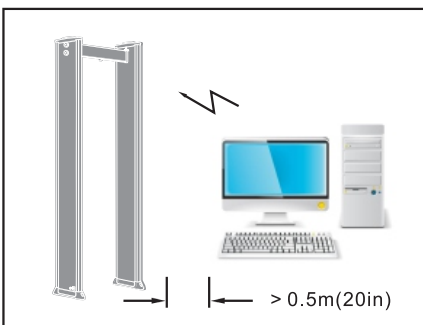


The distance of this section is recommend distance, the actual distance should be decided upon the installation site conditions.



The moving metal objects

The moving metal objects outside the WTMD should keep a distance of 0.5–2m (20–79in) away from the door, thus to avoid false alarms. According to the size of metal objects, the distance between metal objects and the WTMD may be different.



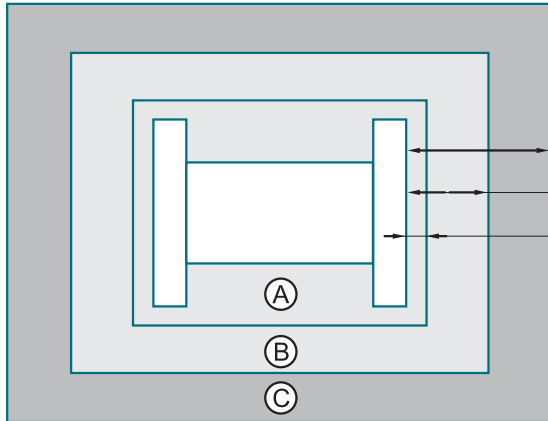
Radiated electrical interference

The distance between electronic interference source and the receiving coil is the largest. The recommended minimum distance should be 0.5–4m (20–157in). However, the actual distance should be depended on the real conditions. For example, you can move the WTMD and the interference source to find the best position.

Interference may be provided by electronic control panel, radios and computers, image display, high-power motors and transformers, AC cord, thyristor control circuits, flash welding equipment fluorescent tubes and other equipment.

Conductivity electronic interference

Connect the power cord to which is not connected to other large load (such as high-power motors, etc). They may result in a large power line or voltage shocks.



The recommended minimum distance between the interference source.

> 0.5m-4m(20in-157in)

> 0.5m-2m(20in-79in)

> 0.1m(4in)



Please first read this section before installing device.

A: The distance between the fixed metal objects

B: There must be no movable metal objects

C: There must be no electrical interference sources

Multiple devices work side by side

Work side by side means multiple devices work close to each other. When it works side by side, walk through metal detector will interfere each other in a certain extent. Interference level is decided the distance between the devices, working frequency, sensitivity.

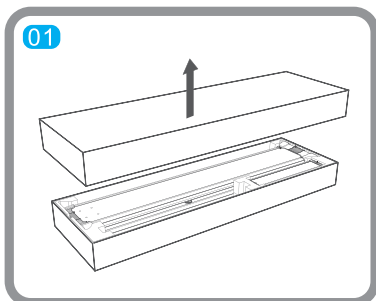
There is many different working frequencies chosen for walk through metal detector, so can reduce the interference between device in order to work side by side. Please note, when it works side by side, all device should set different working frequency.

Before working, device setting

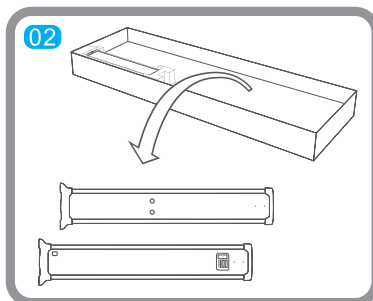
Operator passes through walk through metal detector with need to be detected metal. In the meantime adjust sensitivity and security level, so that achieve customer's demands

Installation instructions

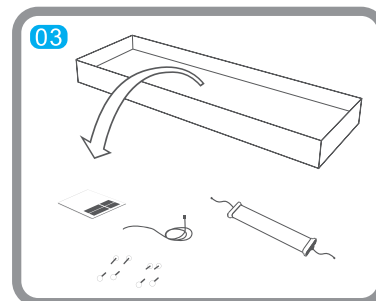
Crossbeam series Installation instructions ①



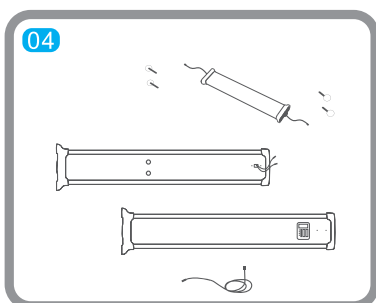
01 Open the top cover of the carton upward.



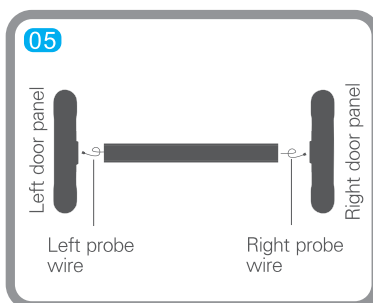
02 Take out left and right door panels from door panel carton



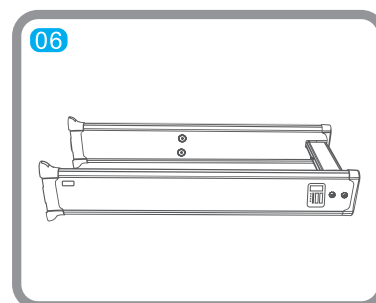
03 Take out use manual, mainframe box, power cable



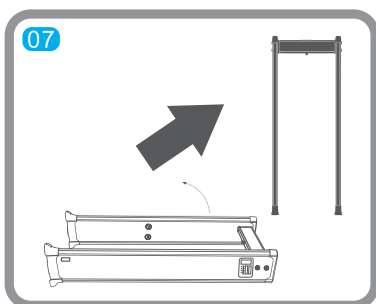
04 Prepare door panel, mainframe box, screws according to above diagram



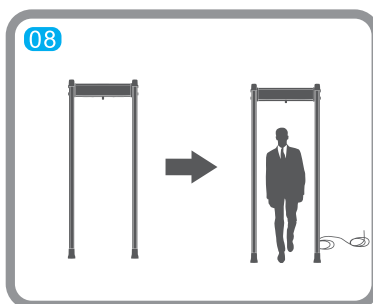
05 Connect the left and right probe wire of mainframe box to the left and right door panel



06 Install mainframe box and door panel according to above diagram, and tighten screws



07 Stand the door upright and finish installation



08 Connect power cable and panel from bottom, turn on and device can work

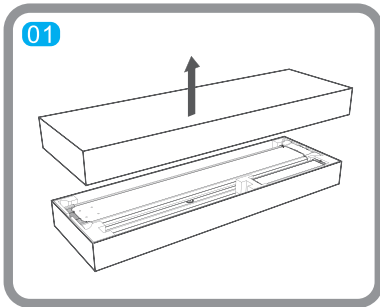


Please first read this section before installing device.

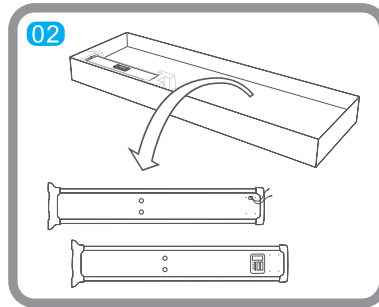
☎ If need our technology supporting when installing and operating or setting specification, please call our service hotline. (refer to cover service card)

If have any doubt and advice regarding our product, please send email to our email address. When we received your email, will reply you immediately. Appreciate your supporting and understanding.

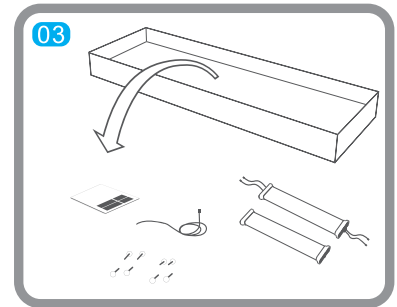
Crossbeam series Installation instructions ②



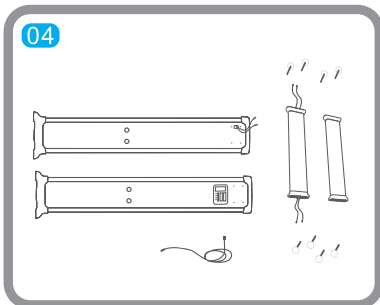
01 Open the top cover of the carton upward.



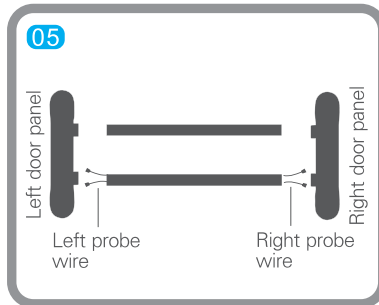
02 Take out left and right door panels from packing carton



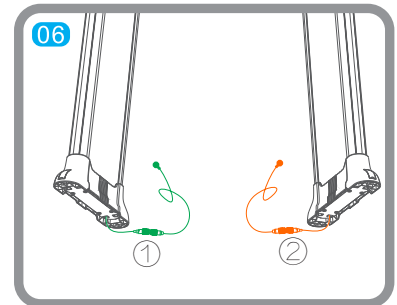
03 Take out the manual, control box, crossbar, bolt, power cable from the packing box.



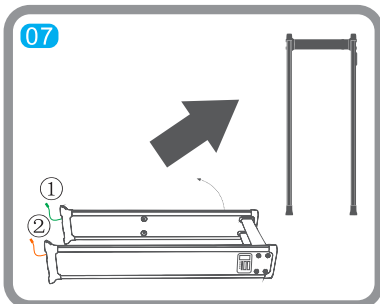
04 Prepare door panels, crossbar, bolts, and power cables according to the above instructions.



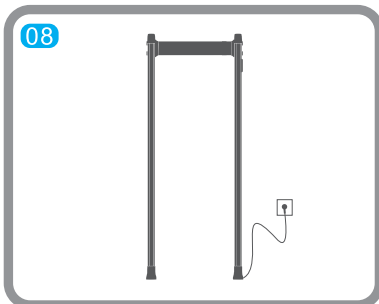
05 Connect the control box cables on the crossbar to the left and right door panels.



06 Select the bottom of one side of the left or right foot cover to access the power cable



07 Use bolt to lock the beam and upright the security gate.



08 Connect the power supply to the device and the device starts.

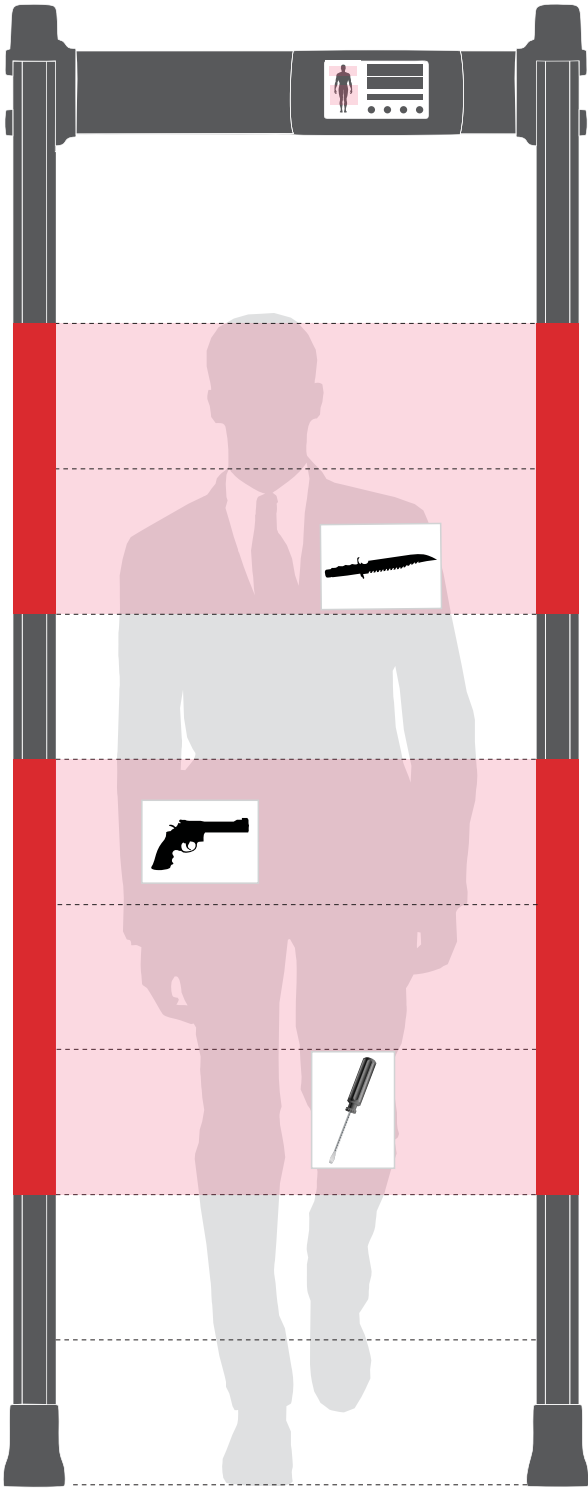


Please first read this section before installing device.

☎ If need our technology supporting when installing and operating or setting specification, please call our service hotline. (refer to cover service card)

If have any doubt and advice regarding our product, please send email to our email address. When we received your email, will reply you immediately. Appreciate your supporting and understanding.

Detection Zones Diagram of Walkthrough Metal Detector



9 Zones