

Neptune

Linux-Based

Time Attendance and Access Control System

Visible Light Facial Recognition



Proactive
Facial Recognition



New Height of
Anti-Spoofing



Speedy
Recognition



Wide Pose Angle
Acceptance
+/- 30



Touchless for
Better Hygiene



Neptune is a touchless facial identification terminal featuring innovative Visible Light Facial Recognition technology.

With the latest algorithm and Visible Light facial recognition technologies, the device will automatically perform recognition for a target in a long distance when it detects a human face in the detection distance to deliver better recognition quality in terms of speed and accuracy than the previous near-infrared facial recognition terminals.

With the applied Deep Learning algorithm, the pose angle tolerance and anti-spoofing ability against the dynamic environment and various spoofing attacks have been greatly enhanced.

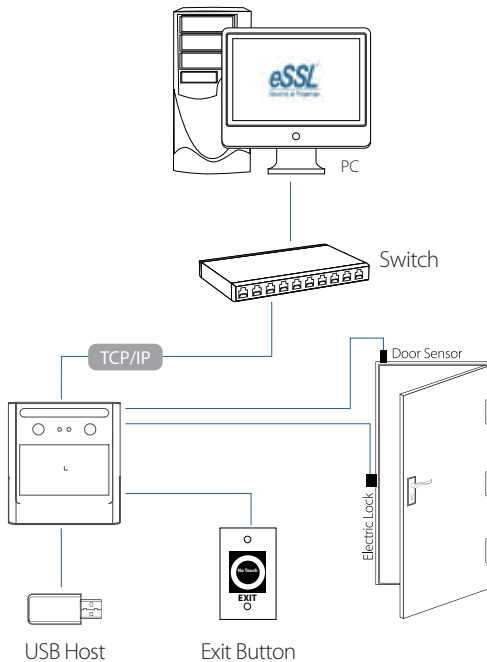
Features

- Visible Light facial recognition
- Anti-spoofing algorithm against print attack (laser, color and B/W photos), videos attack and 3D mask attack
- Multiple verification methods: Face / Password / Card (optional)
- Card modules (optional): 125KHz ID Card (EM) / 13.56MHz IC Card
- Backup rechargeable battery (optional): offers at least 2 hours of power on a full charge, and it takes 4 hours to recharge
- Support standard wall-mounting with Backplate or optional wall-mounting with Cable Box, and optional desktop installation with Cable Box

Specifications

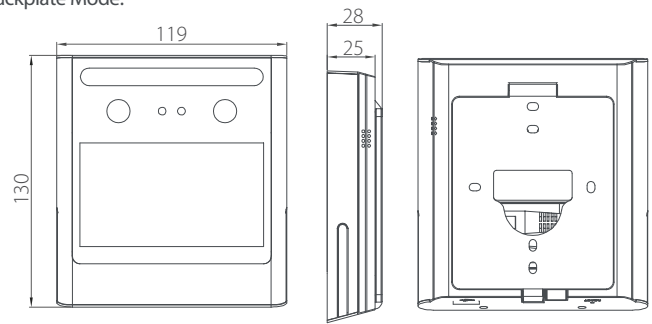
Display	4.3-inch Touch Screen
Face Capacity	500
User Capacity	1,000
Card Capacity	1,000
Transactions	150,000
Communication	TCP/IP, Wi-Fi (inbuilt), USB Host
Standard Functions	Work Code, DST, Self-service Query, Automatic Status Switch, T9 Input, Camera, 9-digit User ID, Multiple Verification Methods, Bell Scheduling
Hardware	1GHz Dual-Core CPU, 256MB RAM / 512MB ROM, 1MP Binocular Camera
Operation System	Linux
Access Control Interface	3rd Party Electric Lock, Door Sensor, Exit Button
Optional Functions	125KHz ID Card (EM) / 13.56MHz IC Card, Battery Backup, Cable Box for Battery Installation and Storage
Biometrics Algorithms	LiveFace V3.5
Facial Recognition Speed	≤1s
Power Supply	12V 1.5A
Working Humidity	20% to 80%
Working Temperature	0°C to 45°C
Dimensions (W*H*D)	130 * 119 * 28 (mm) / 130*119*55 (mm)
Supported Software	eTimetracklite

Configuration

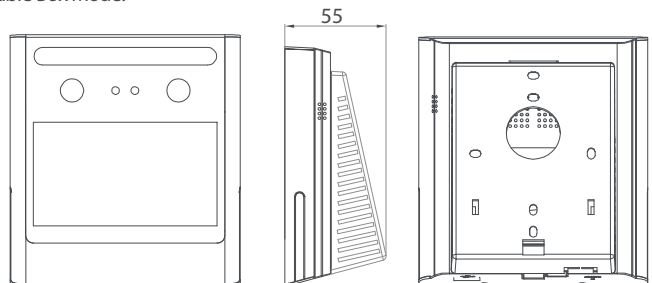


Dimensions (mm)

Backplate Mode:



Cable Box Mode:



Disclaimer: Brief specifications are mentioned here. Specifications may change without prior notice. Customers are advised to check with us before purchase. Actual product may differ slightly to that depicted for ongoing product development

Visit Us at: www.esslsecurity.com