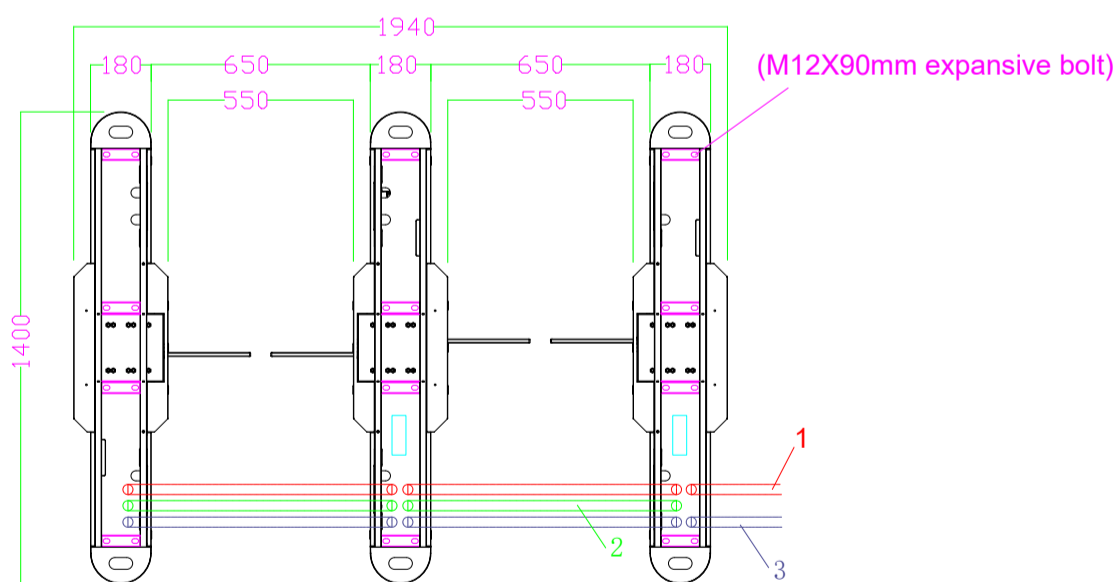
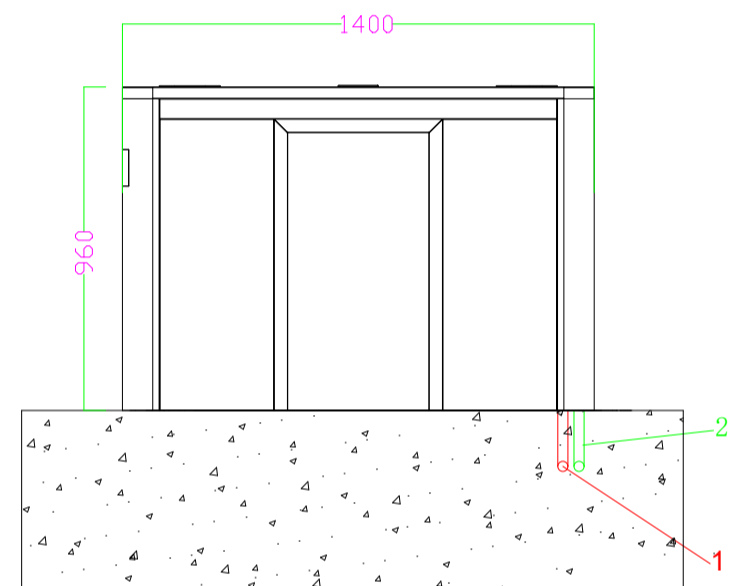
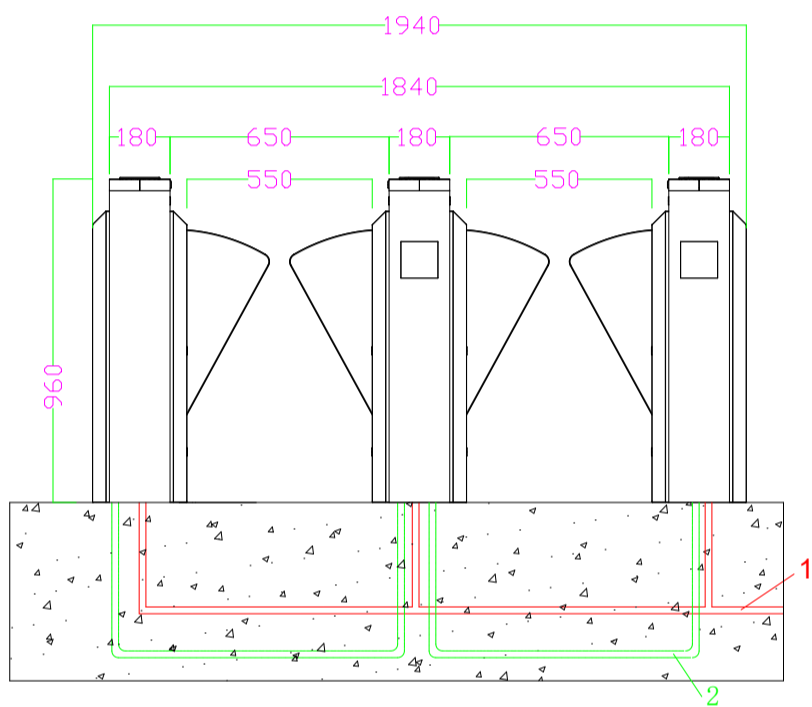


Flap Barrier

FB-Y-1000 & FB-Y-1200

Civil and Installation Drawing



Installation Manual:

- 1 || The Ø20mm PVC tube for AC 220V Power wires (3 X Ø2.0mm).
- 2 || The tube for connecting vice-machine to master machine in the same lane (CAT5 network cables*2PCS, 6 * 1.0mm line*1PCS) .
- 3 || TCP/IP ethernet cable for connecting access device to PC.
- 4 □ Control board .
- 5 ○○ Fixing the equipment with M12 X 90mm expansive bolt .

Mark:All wires extending out of the ground shall be no less than 2M.