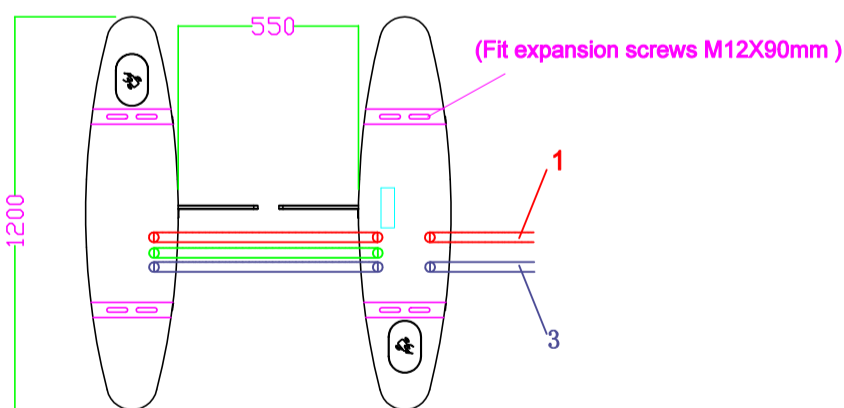
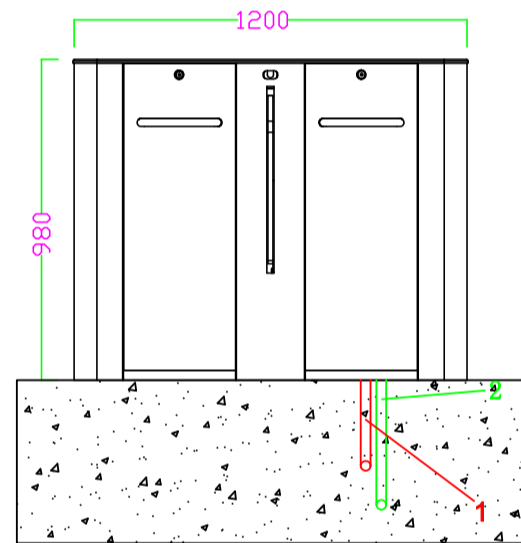
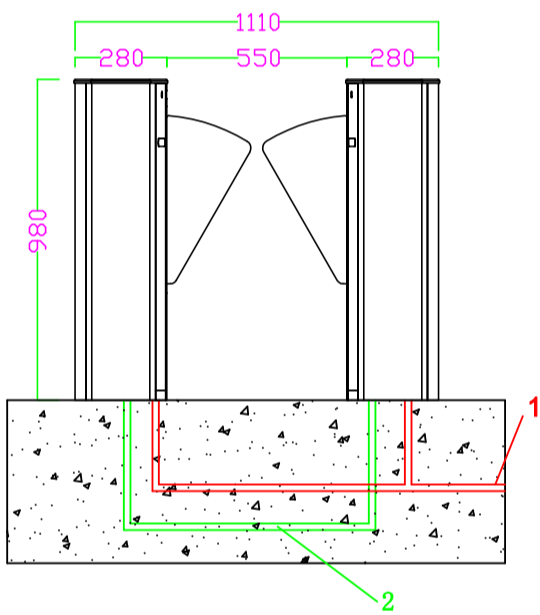


Flap Barrier

FB-E-1000 Single Lane

Civil and Installation Drawing

Unit : mm



Installation Manual:

- 1 || The $\varnothing 20\text{mm}$ PVC tube for AC 220V Power wires (3 X $\varnothing 2.0\text{mm}$).
- 2 || The tube for connecting vice-machine to master machine in the same lane (CAT5 network cables*2PCS, 2 * 0.5mm motor line*1PCS)
- 3 || TCP/IP ethernet cable for connecting access device to PC.
- 4 || Control board.
- 5 || Fixing the equipment with M12 X 90mm expansive bolt .

Mark: All wires extending out of the ground shall be no less than 2M.