

Stainless steel Button

8-Pushbutton-SQ (Exit Button)



Specification

Size(mm) : 86L*86W*40H

Power Supply : DC12V

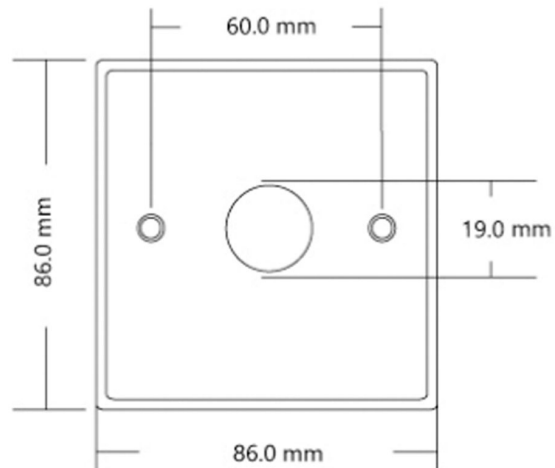
Output Contact : NO/NC/COM

Material : Stainless steel panel

Operating Temp : -20°C+55°C(-4-131F)

Operating humidity : 0-95% (RH)

Dimensions



Disclaimer: Brief specifications are mentioned here. Specifications may change without prior notice. Customers are advised to check with us before purchase. Actual product may differ slightly to that depicted for ongoing product development

www.esslsecurity.com