

NO Touch Exit Button : Stainless steel

8-No Touch-K1



Specification

Size(mm): 115L*70W*16H

Power: DC 12-24V

Output Contact: NO/NC/COM

Sensitive Distance: 5-15cm distance is adjustable

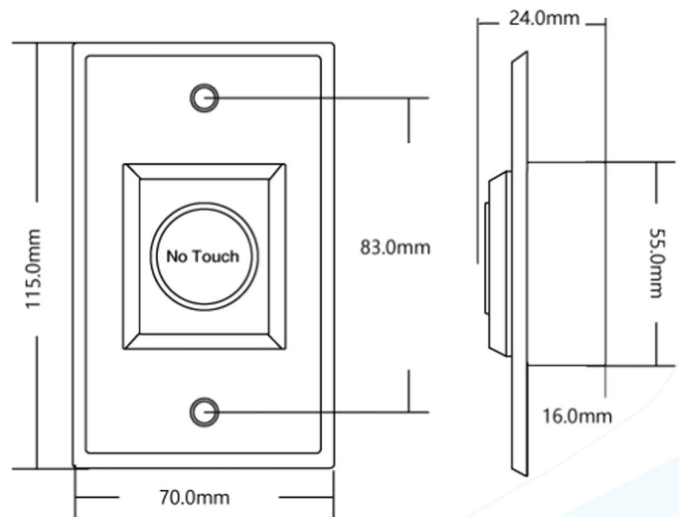
Time Delay: 0-9s delay adjustment

LED Indicator: Standby blue, Response green.

(Customizable colors)

Material: Stainless steel panel

Dimensions



Disclaimer: Brief specifications are mentioned here. Specifications may change without prior notice. Customers are advised to check with us before purchase. Actual product may differ slightly to that depicted for ongoing product development

www.esslsecurity.com